



**SunRise LED Inc.**<sup>TM</sup>

Let SunRise *Light Up* Your Business

## **Flex LC Series** Outdoor Full Color Displays

- Display Vivid and Colorful Text, Images & Videos
- Small Flight Case for Easy Storage & Shipping
- Easily Install and Hang like a Curtain
- Extremely Flexible and Durable
- Maintain and Repair with Ease



## Product Overview



Flexible LED displays is SunRise LEDs new Patent product. The LED configuration & type, combined with a makes the display capable of being folded, curved and transformed. It can be applied to a variety of shapes; like circles, archs, or even right-angles. Most importantly, it is light-weight and easy to install. One (1) square meter just weights about 5lbs. With its flexible structure, it still displays brilliant & colorful text, images and videos. Utilizing our provided software, creating your messages will be fast and easy.

## Product Features



Display extremely colorful text, images, & videos



Extremely flexible and light weight. Can conform to irregular shapes



Quality tested to withstand harsh conditions. Extremely durable



Easy to install and hang like a curtain. No need for professional installers.



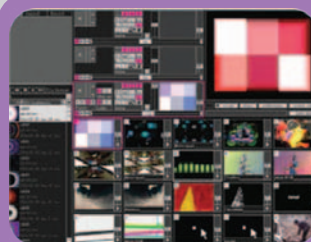
Easy connect the panels to make your desired display size.



Small flight case for easy storage & shipping



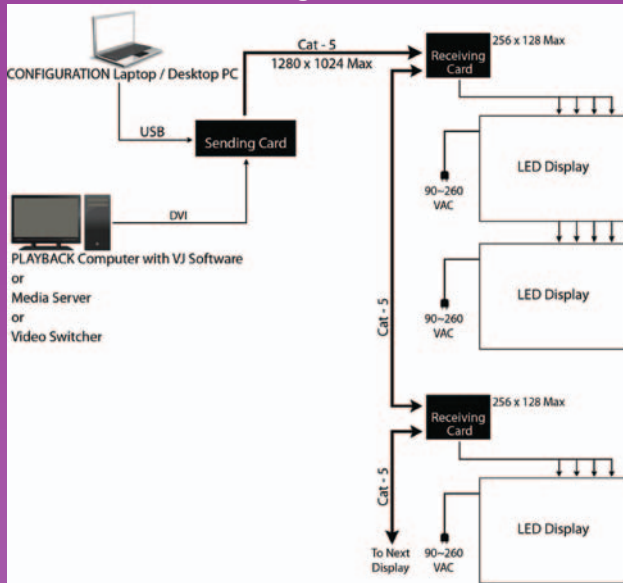
Maintain & repair the display with ease



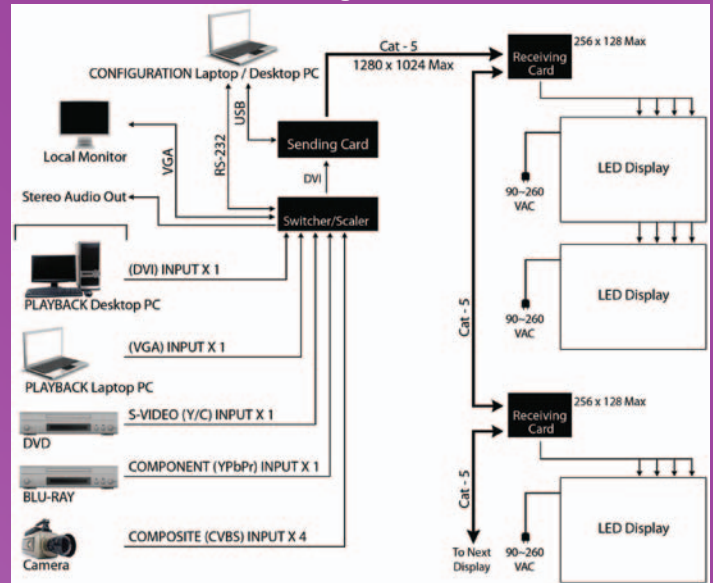
The software package, makes it easy to display a variety of message types

# Control System

**Diagram 1**



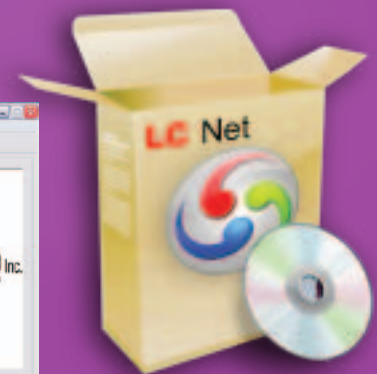
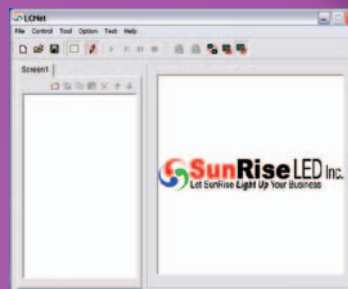
**Diagram 2**



- 1.) One (1) sending card can control 1280W x 1024H pixels  
 One (1) receiving card can control 256W x 128H pixels  
 One (1) sending card can control several (7) receiving cards
- 2.) Adjust the grey scale level from 0 to 65536
- 3.) Adjust the refresh rate level from 10Hz to 3000Hz
- 4.) 256 levels brightness can adjust automatically
- 5.) One (1) sending card can control 7 display panels. They can be joined together or operate separately
- 6.) The distance between the Sending Card and Receiving Card can reach 459.3ft (140m)

# Software Features

- 1.) Accept a variety of media formats.  
(JPG / GIF / MOV / AVI / MPG / SWF / VCD / DOC / EXCEL )
- 2.) Create multiple display planes on one message.
- 3.) Apply a variety of message effects.
- 4.) Apply a variety of message transitions.
- 5.) Connect & integrate with a database
- 6.) Connect to your display through a network
- 7.) Message scheduling
- 8.) Display the calendar
- 9.) Insert background music



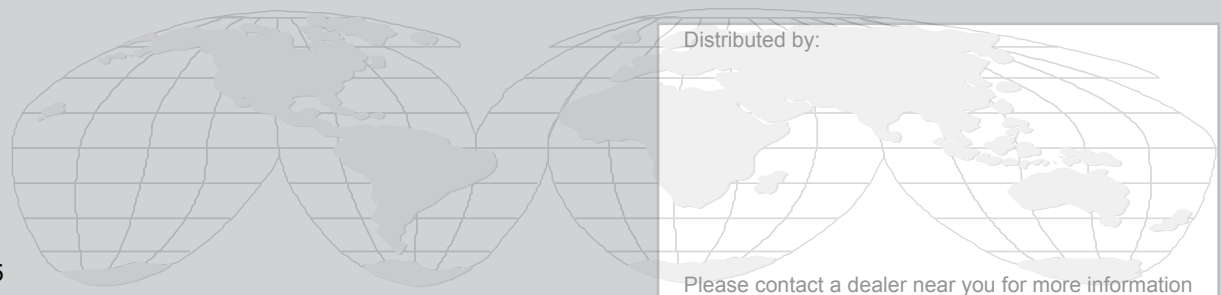
## General Specifications

Pixel Sizes (Pitch)	20mm   25mm   30mm   37.5mm   50mm   75mm   100mm
LED / Pixel Configuration	1 Red, 1 Pure Green, 1 Blue
Brightness Level (NITs)	55 - 2,700 NITs
Display Color Value	Full Color (4.4 Trillions)
Color Depth	14 bit
Wave Length	Red:630   Blue:525   Pure Green:470
Luminous Intensity	Red:600mcd   Blue:1500mcd   P. Green:350mcd
Available Signals	DVI, S-Video, RGB, VGA and etc.
Lifetime (50% Brightness)	80,000 Hours
Viewing Angle	120° Horizontal / 55° Vertical
Viewing Distance	32.8ft~328.1ft (10m~100m)
Operating Temperature	-14°F ~ 158°F (-10°C ~ 70°C)
Operating Humidity	10% ~ 90%
Ingress Protection	Front: IP44

SunRise LED Inc.  
598 Patterson Blvd.  
Pleasant Hill, CA 94523

800-660-4414 • 925-939-5505  
www.SunRiseLED.us

Rev 7/28/10



We reserve the right to change product design or discontinue a product at any time without further notice.  
For the complete product options and Technical specifications, visit us at [www.SunRiseLED.us](http://www.SunRiseLED.us)